



**Devonshire®**  
60" x 32" drop-in whirlpool w/ heater  
**K-1357-H**

**Features**

- Single-speed whirlpool offers performance and value with 8 fully adjustable jets.
- Hydromassage flow and direction can be controlled at each jet.
- Built-in heater.
- Integral lumbar support and armrests offer extra comfort while bathing.
- Textured bottom surface.
- Coordinates with other products in the Devonshire collection.

**Material**

- Acrylic.

**Hydrotherapy**

- Whirlpool.

**Installation**

- Reversible drain.
- Drop-in.

**Recommended Products/Accessories**

- K-1491 Bath/Whirlpool Pillow
- K-1601 Bath/whirlpool footstop, removable
- K-7161-AF 1-1/2" adjustable pop-up drain above- or through-floor
- K-7213 27" Cable Bath Drain
- K-7214 27" Cable Bath Drain
- K-24916 Wireless Music Kit
- K-7259 Brass toe tap bath drain
- K-37380 30" Rough-in Cable Bath Drain
- K-37383 Rough-in cable bath drain, PVC, 30" cable with tubing
- K-702200-G73 Frameless Sliding Bath Door
- K-702200-L Frameless Sliding Bath Door
- K-1177 Vinyl Tiling-in Bead
- K-23726 Drain treatment
- K-23732 Tub & shower cleaner



**Codes/Standards**




- ASME A112.19.7/CSA B45.10
- CSA B45.5/IAPMO Z124
- ASTM E162
- ASTM E662
- UL 1795
- CSA C22.2 No. 218.2

**KOHLER® Plastic Baths and Receptors Lifetime Limited Warranty**  
**KOHLER® Hydrotherapy Components Five-Year Limited Warranty**

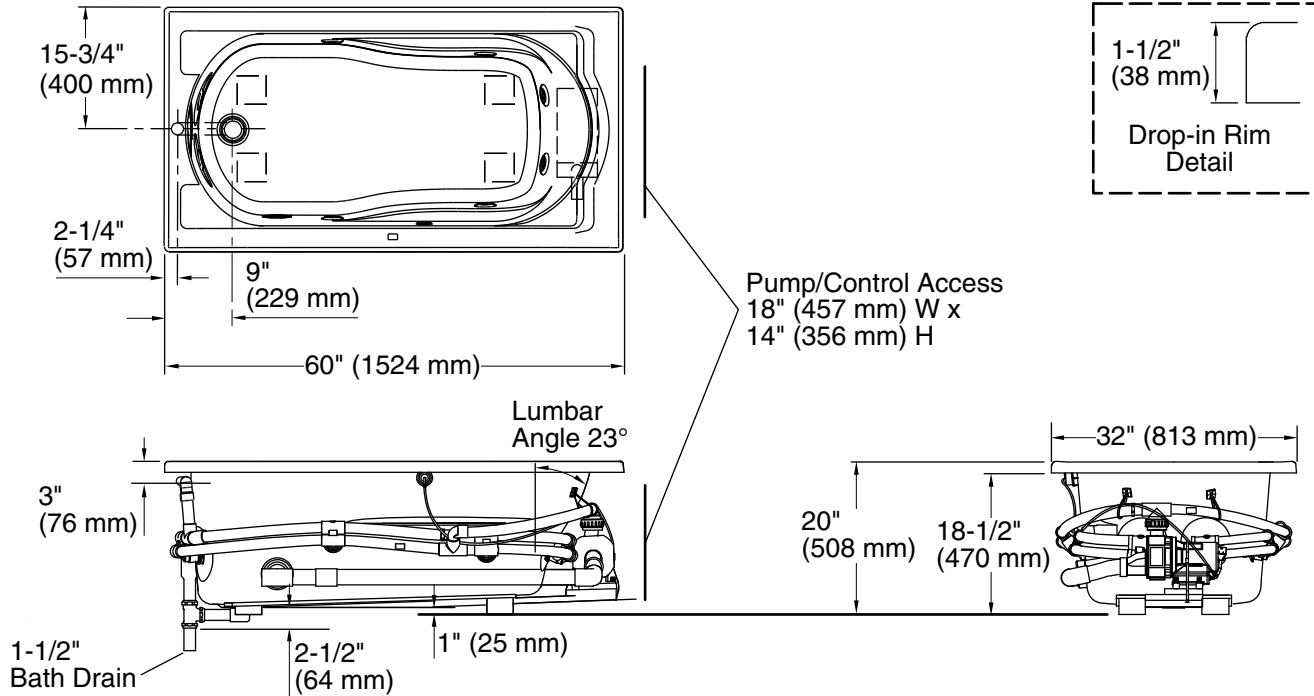
See website for detailed warranty information.

**Available Colors/Finishes**

*Color tiles intended for reference only.*

Color	Code	Description
	0	White
	96	Biscuit
	NY	Dune

No change in measurements if connected with drain illustrated. (K-7161-AF)



### Required Electrical Service

Two dedicated circuits required, protected with Class A Ground-Fault Circuit-Interrupter (GFCI). Outside North America, this device may be known as a Residual Current Device (RCD).

Pump: 120 V, 15 A, 60 Hz  
Heater: 120 V, 15 A, 60 Hz

### Technical Information

All product dimensions are nominal.

Installation: Drop-in  
Drain location: End  
Basin area, bottom: 42" x 20" (1067 mm x 508 mm)  
Basin area, top: 51" x 24" (1295 mm x 610 mm)  
Weight: 145 lbs (65.8 kg)  
Minimum floor load: 50 lbs/ft<sup>2</sup> (244.1 kg/m<sup>2</sup>)  
Water depth: 14" (356 mm)  
Water capacity: 60 gal (227.1 L)  
Cutout: Drop-in, 58" x 30" (1473 mm x 762 mm)  
Electrical component rating: Pump: 120 V, 7 A, 60 Hz  
Heater: 120 V, 12.5 A, 60 Hz, 1500 W  
Pump speed: Single

### Notes

Measure your actual product for rough-in details.

Install this product according to the installation instructions.

The hot water supply should be 70% of the capacity of the bath or greater. Installations will vary.